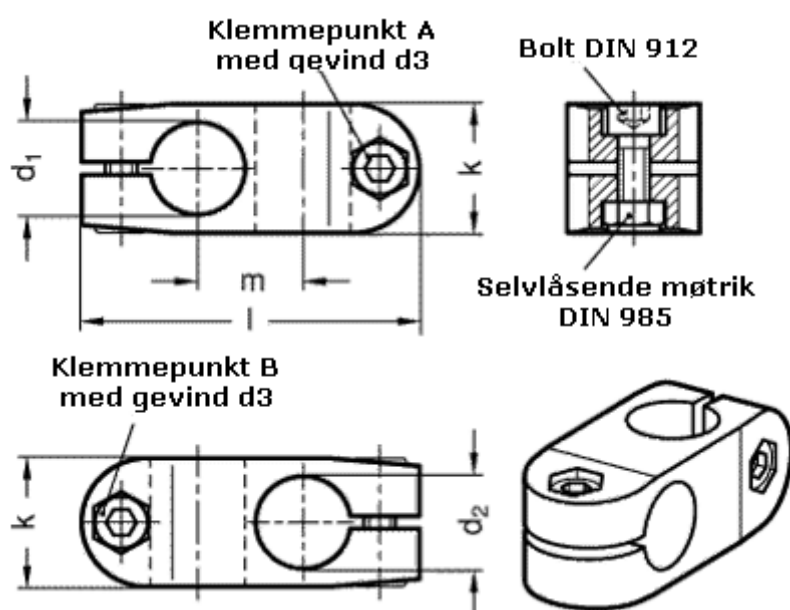


Article number: 20131B15B152SW

Description: E+G Two-way connector  
GN131-B15-B15-2-SW

## Measures



Adjustable clamp lever = GN 911-M 6-22 have to be ordered separately

|    |       |
|----|-------|
| d1 | = 15  |
| d2 | = 15  |
| d3 | = M 6 |
| k  | = 25  |
| l1 | = 64  |
| m  | = 20  |